



Mega Catch™

REPAIR INSTRUCTIONS

UV BULB FITTING

Mega-Catch™ Mosquito Traps have a modular design that enables the user to easily perform maintenance/repairs on the trap without the costly charges required to send the trap to a service centre.

Please refer to the instructions below on how to get your trap functional again.

Replacement of UV Bulb Fitting

Step 1). Disconnect UV Bulb cable from Top Plate



Pic 1

Step 2). Remove UV Bulb by turning and pulling.

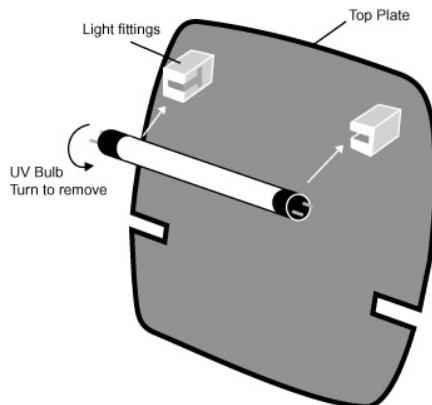


Pic 2

Step 3). UV Bulb holder can be removed by pushing in the retaining clip on the side of the white plastic lamp holder and pushing out Bulb holder.



Pic 3



Step 4). Reconnect UV Bulb cable to 3 pin connector underneath Top Plate (Pic 1) and push in firmly.

Removal / Reinstallation of Seal

Fitted to the groove around the top inner surface of the Trap is a rubber seal. This seal pushes into place for weather protection and should be reinstalled prior to final assembly of the Trap. The seal is formed to the shape of the trap. Check the seal is undamaged before it is reinstalled and the Trap is re-assembled



Pic 1

Re-assembly of Trap

With the Top and Bottom Plates in place replace the "timer-side" or top half of the Trap ensuring that each plate slots into the locating ribs. The 12 screw holes should now be aligned for replacement of the screws and nuts. Hold the nuts into the pre-formed hexagonal holes and carefully screw in the screws.

Note: Do not overtighten the screws. This could cause the nuts to rotate and damage the pre-formed hexagonal fittings in the plastic housing.

