

60 Hertz			
HP	1/3	Voltage	115
kW	N/A	FL Amps	5.6
RPM	1725		
FL Eff	0%	SF	1.15

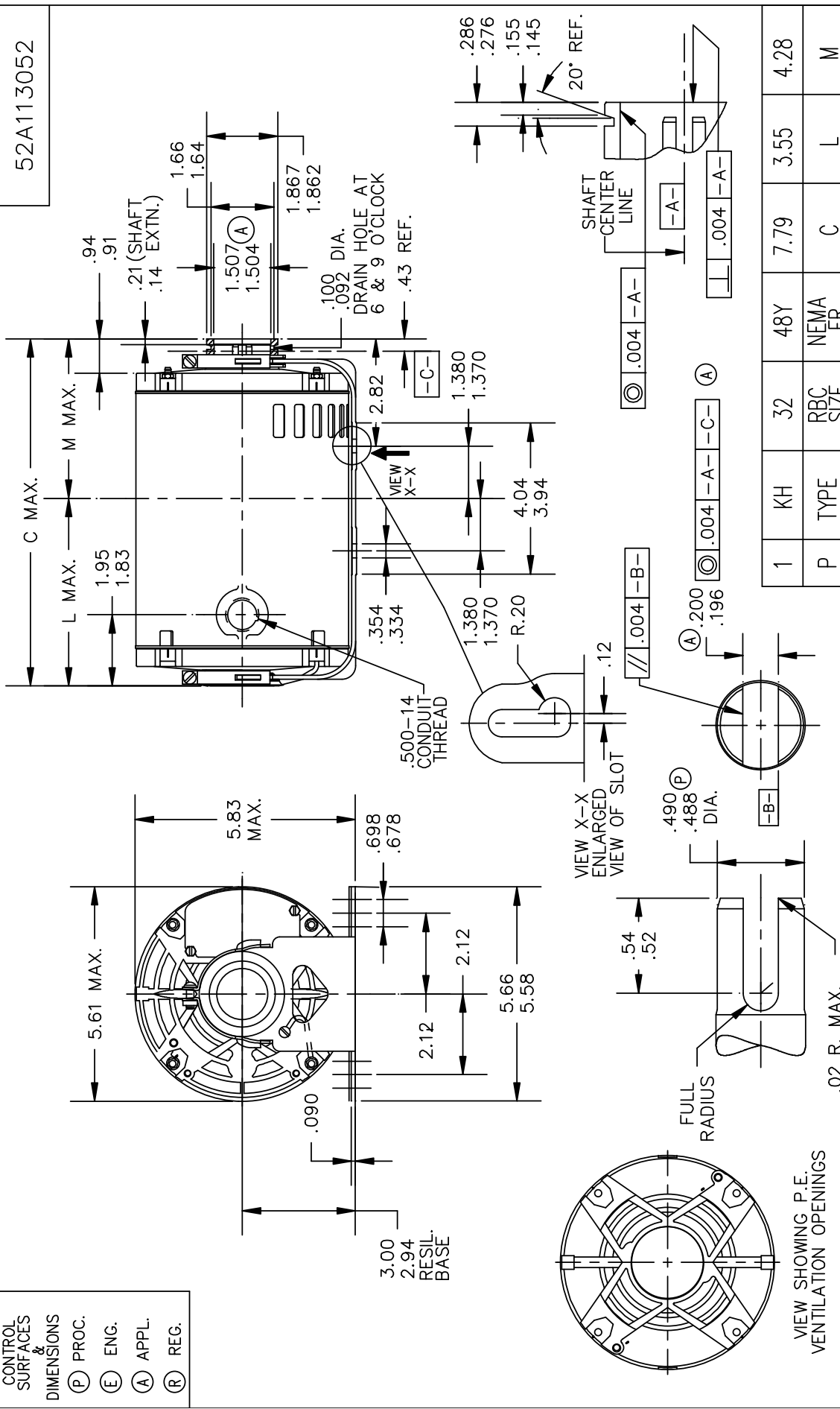
Carbonator Pump Motor
Model Number 5KH32FN5586X

Phase 1
Frame 48Y
Enclosure DP
Mounting RB
Orientation Horizontal or Vertical
Assembly N/A
Drive End Bearing BALL
Opposite End Bearing BALL
Drive End Bearing Size 6203
Opposite End Bearing Size 6203
Weight 14 lbs
CE N/A
UL Y
Thermal Protection Automatic

Insulation Class B
Duty Continuous
Ambient 40
NEMA Design
Starting Type Switch and Mech
KVA Code N
IP Code
Rotation Counterclockwise
Hazardous Location N/R
CSA N/A

CONTROL SURFACES & DIMENSIONS
 (P) PROC.
 (E) ENG.
 (A) APPL.
 (R) REG.

52A113052

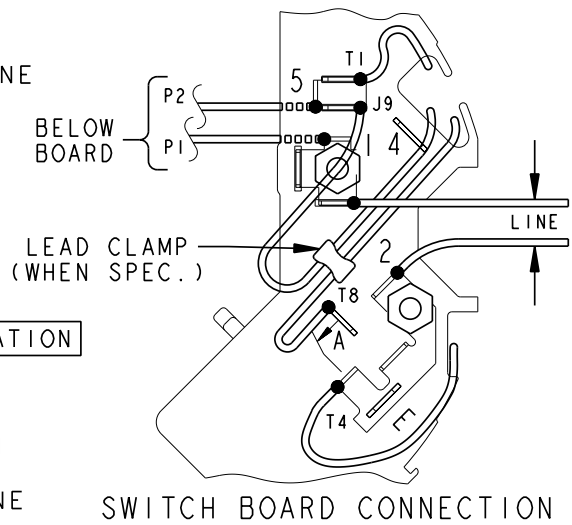
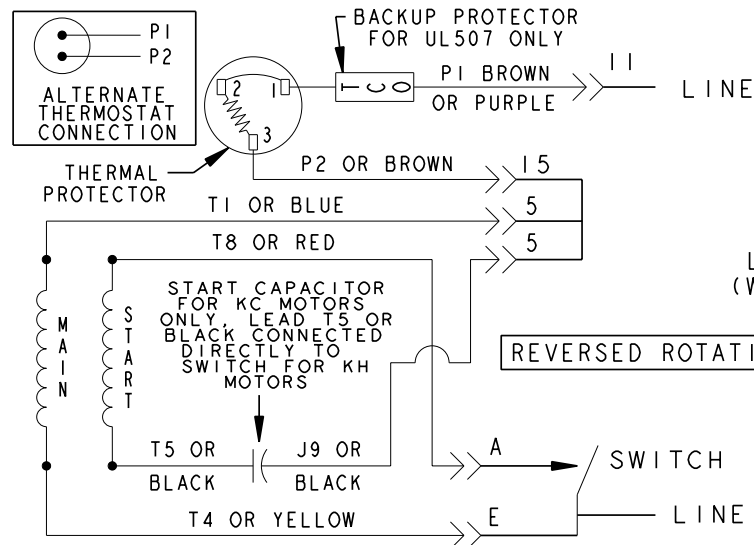
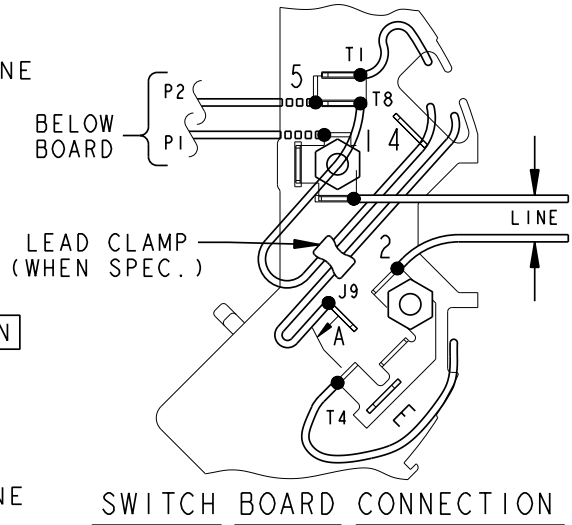
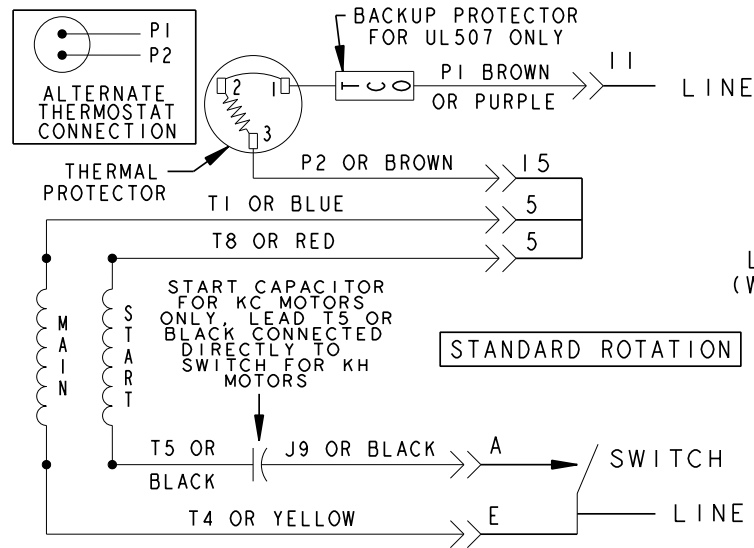


1	KH	32	48Y	7.79	3.55	4.28
P	TYPE	RBC SIZE	NEMA FR	C	L	M

TOLERANCES UNLESS SPECIFIED		REGAL-BELOIT CORPORATION		DRAWN GD 10/25/05	
DEC.	INCHES	REGAL-BELOIT		CHK	
.X	±0.1	REGAL-BELOIT		APPD	GD 10/25/05
.XX	±0.02	TITLE		SCALE	1=1
.XXX	±0.005	CARBONATOR PUMP - OPEN - RESIL. BASE		REF	
.XXXX	±0.0005	MATERIAL		FMF	
CHK	ANG	FINISH		PREV	
ANG	±1.0	CAD FILE		DRAWING NO.	
RFP		52A113052		52A113052	
DIST		SIZE		REV.	
		A		3	

SHEET —	THIRD ANGLE PROJECTION	REVISIONS			
		REV.	DESCRIPTION	DATE	APPROVED
REV 52A105379AA 6		6	UPDATED FORMAT	12/01/05	MAM

EITHER ROTATION-SINGLE VOLTAGE-TYPE KC OR KH-WITH THERMAL PROTECTOR



NOTE #1 - TO REVERSE ROTATION INTERCHANGE RED (T8) AND BLACK (J9-KC OR T5-KH) LEADS.
NOTE #2 - WHEN MORE THAN ONE CAPACITOR IS USED CONNECT IN PARALLEL.

SWITCH (C) - 115D958AB

REF. DIAG. - 121A851

CONN. LABEL - 52X332048

FOR ADDITIONAL INFO REFER TO:	SIGNATURES	DATE
	MODEL M. D. PAPE	06/29/87
APPLIED PRACTICES	DETAIL	
DIMENSIONS ARE IN INCHES	CHECKED	
	ENGRG	
	MFG	
	QUALITY	
	ISSUED M. D. P.	03/08/00
MATERIAL	SOLID MODEL: 52A105379AA	

REGAL-BELOIT CORPORATION

TITLE **CONNECTION DIAGRAM**

FMF - 30 FR SWITCH REDESIGN

SIZE DRAWING **52A105379AA** REV **6**

SCALE: 1.000 REF. No: SHEET 1 of 1